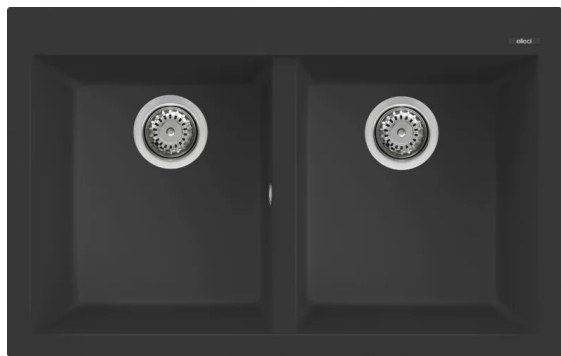
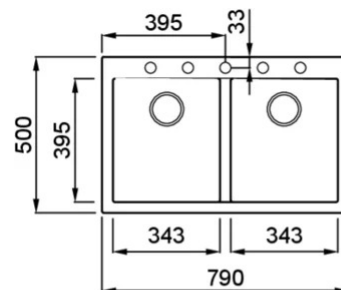


QUADRA 350



Méretrajz



0

Jelleg	2 medencés
Modell	QUADRA 350
Székrenyméret (mm)	800
Beépíthetőség	Munkalapra szerelhető
Méret (mm)	790 x 500
Kivágási méret (mm)	770 x 480
Medence mélység (mm)	210



KERATEK[®] plus

CERAMIC NANOTECHNOLOGY CN6



LKQ35086 K86
8031873020323



LKQ35093 K93
8031873027674



LKQ35095 K95
8031873027698



LKQ35096 K96
8031873020330



LKQ35097 K97
8031873027711



LKQ35099 K99
8031873027735

GRANITEK[®]

NATURAL GRANITE EFFECT

METAL

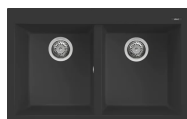


LMQ35073 M73
8032861953609



LMQ35079 M79
8032861953647

MATT



LGQ35040 G40
8032861049418



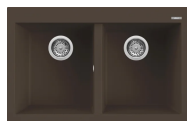
LGQ35043 G43
8032861047803



LGQ35048 G48
8032557030638



LGQ35068 G68
8032861044840



LGQ35078 G78
8032557067238

CLASSIC



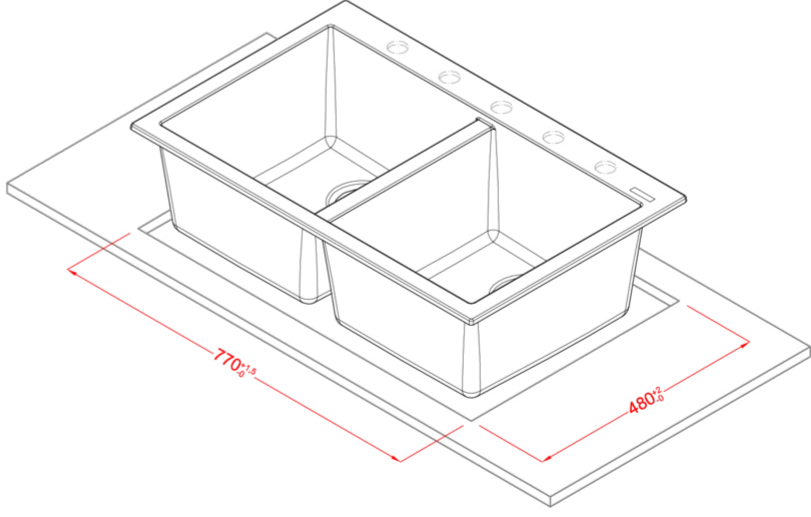
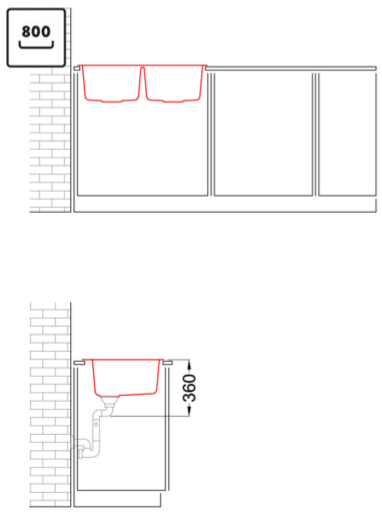
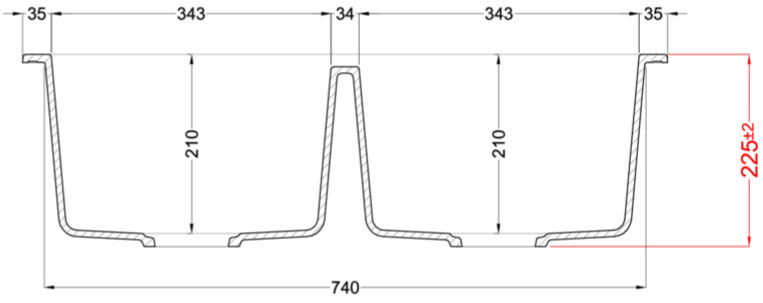
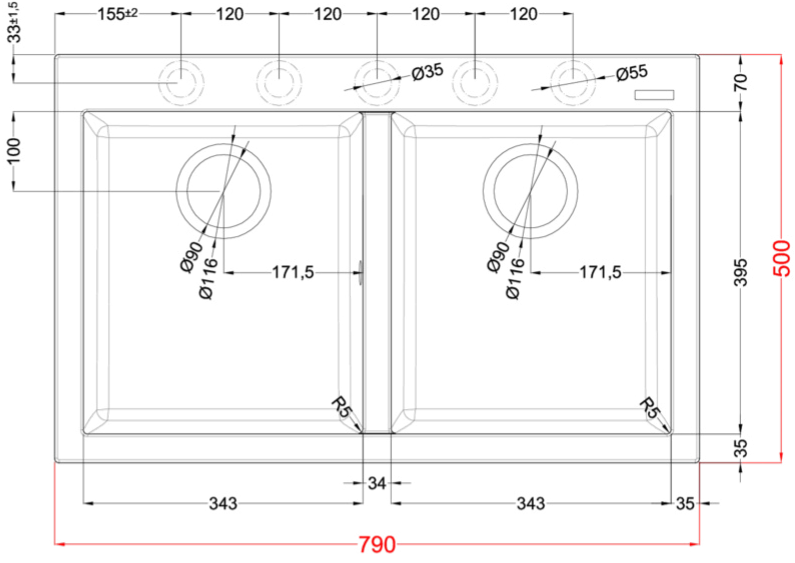
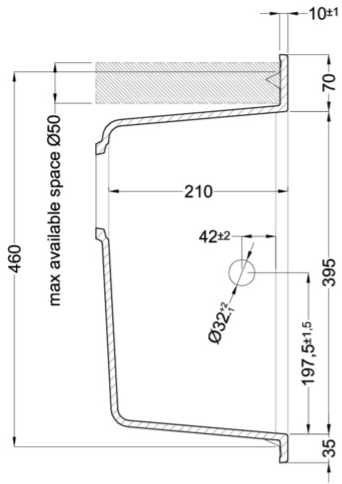
LGQ35051 G51
8032861042457



LGQ35059 G59
8032861047476



LGQ35062 G62
8032861044864



QUADRA 350

general tolerances where not expressly communicated ±0.2%
 connection dimensions according to UNI EN 695

